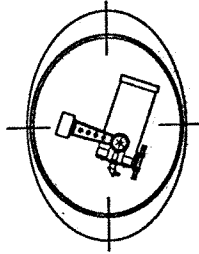
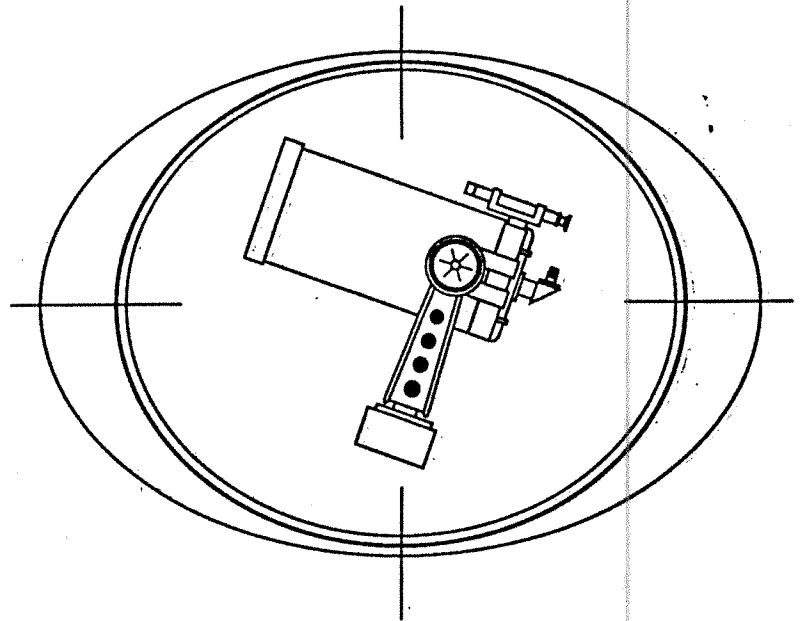

The WINNICENTRICS

A Publication of
The Royal Astronomical Society of Canada
Winnipeg Centre



Winnipeg Centre, R.A.S.C.
P.O. Box 215 St. James P.O.
Winnipeg, Manitoba
R3J 3R4

Mr. Chris Rutkowski
P.O. Box 1918
Winnipeg, MB
R3C 3R2
88

R.A.S.C. WINNIPEG CENTRE

Vol. 28 No. 3 May/June 1988

1987/88 COUNCIL

- President - Mr. John Haines
- 1st Vice President - Mr. Lorence Mlodzinski
- 2nd Vice President - Mr. Chris Rutkowski
- Treasurer - Mr. Chris Brown
- Secretary - Mrs. Myra Rutkowski

- Councillors : Mr. Len Gamache
- Mr. Gord Mathews
- Mr. Andrew Lawless
- Mr. Paul Paradis
- Mr. Stan Runge
- Mr. Bud Fairley

Appointed Positions

- Librarian - Mr. Chris Rutkowski
(475-4181)
- National Representative - Mr. Lorence Mlodzinski
- Observatory Director - Mr. Lorence Mlodzinski
(668-3974)
- Winnicentrics Editor - Mrs. Myra Rutkowski

* Please send Winnicentrics articles to: #16-825 Corydon Ave., Wpg., R3M 0W6



Shooting Stars



As some of you may know, Chris and I were out in Calgary in March (one week after Don Hladiuk was here). I was scheduled to speak at their March meeting, giving the presentation which I prepared for Winnipeg in November "Women in Space". However, the one thing that they forgot to tell me was about the media. As soon as we stepped off the plane, Don whisked us away to CBC-AM, where I did a live, unrehearsed interview. Talk about becoming a star overnight! From there, Don and his wife Marianne, Bill and Luba Krosney, and Jim Himer (Calgary's esteemed Pres) took us for dinner. After good eats and good conversation (look at the Flames go!!), as well as a few good drinks, we were once again whisked away to the meeting, where Chris told them all the nasty gossip of our Centre. I, of course, redeemed the evening by giving a splendid presentation (if I do say so myself!)

Chris and I would like to give special thanks to the Hladiuk's, who so warmly welcomed us into their home, and really showed us the town!

We would also like to announce our recent marriage (yes, to each other!) on April 16. We're sorry we couldn't invite all of you as space wouldn't allow, but let me assure you that Winnipeg Centre was well represented!! Ask Gord to show you the pictures he took, especially of Chris Brown and Stan Runge on the dance floor (no, not together!) (At least I don't think so!)


WHAT'S HAPPENING...

News: The library has now been prepared for the possibility of flooding (if we ever get any rain). The main bookcase has been moved onto cement blocks which were donated by one of our members. Astronomy Day was a success; our RASC display was featured prominently at the Planetarium, and members answered many questions of passers-by. The Planetarium has offered us the use of a permanent display case, and we will almost definitely take them upon their offer. Our brass telescopes have been given to a Planetarium staff member for cleaning (maybe they can go in the case!). Chris Brown has been giving astronomy presentations to schoolchildren this spring. Chris Rutkowski will be speaking at CanCon, the Winnipeg science fiction convention, in May. Guy Westcott was interviewed by a producer from the National Film Board for a science documentary.

UPCOMING MEETINGS

*****LOCATION CHANGE*****


Friday, May 13, 1988



This meeting will be held at the Fort Whyte Centre for Environmental Education, 1961 McCreary Road, southwest of the city. Guest speaker will be Jack Newton (yes, THE JACK Newton!!) Bring your telescopes for casual observing later in the evening.

For more information (i.e. time), call John Haines at 275-0376.

Friday, June 10, 1988



Winnipeg Centre's great Family Bar-be-que!! (to be held at Glenlea Observatory) Bring your hibachi's, munchies and stuff, and your telescopes, because it's also the 2nd ANNUAL GREAT MESSIER RACE!! This is our last scheduled meeting until fall, so come out and have a good time!!!! The fun starts at 6:30, see you there!

If you need a ride, directions, or have any questions, call any of the council members.

The following was written by a new member, Mr. Stefan Carter, who recently visited Hawaii.

STARRY, STARRY SKIES

I took a 2 week vacation in Hawaii in January and will relate what transpired.... I set out armed with the binocs, a small sky map from last year's Observer's Handbook and IMPORTANTLY with a copy of a book full of sky charts which Chris Brown kindly lent to me. Soon after arriving my wife spotted an item in a tourist guide called "Starry Skies". A phone call was answered by a concierge at the swankiest resort hotel in Maui and we had a free reservation for that evening. After getting lost trying to get to the meeting place through the luxurious maze of the huge areas of sculptures, shops, stairways and water falls, we arrived breathlessly at the area and found our amateur astronomer and one other "customer". We were taken on the roof and treated to dark-slide shows of certain constellations and views of objects in large mounted binoculars and a telescope. We identified Achernar, the bright star in the East into which flows the river Eridanus from the vicinity of Orion. This was an auspicious beginning.

Thereafter I went stargazing in the relative darkness not far from our hotel and had a ball! Early in the evening, I could still see Deneb (but not the rest of the Cygnus) and with great distinction the constellations seen from Winnipeg. Also, there was Canopus (alpha-Carinae) second brightest star of the sky but clearly outshined by the Sirius nearby. Around midnight the southern constellations of the Argo ship: Puppis, Vela, Carina and some smaller ones could be clearly seen and I was lucky to stumble upon the cluster NGC 2516 nearby. One early morning between 5 and 6 a.m., another treat awaited. There in the Northwest were strung out Ursa Major (with all its lesser stars which I never saw in the city at home), Arcturus and Spica with their Bootes and Virgo's smaller stars. Below in the East, the red Antares was rising with other members of Scorpius. Finally, what I have been hoping and waiting for, the Southern Cross appeared in the southeast and the Centaurus with the alpha and beta Centauri! Looking to the northwest a bright star appeared low, probably Vega. My day (night) was made!!