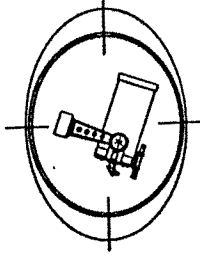
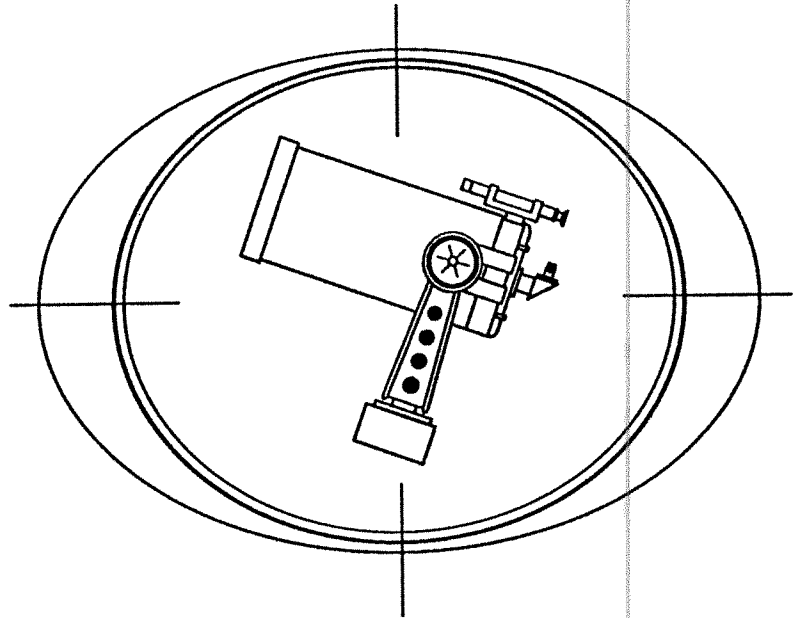

WINNICENTRICS

A Publication of
The Royal Astronomical Society of Canada
Winnipeg Centre



Winnipeg Centre, R.A.S.C.
Rm. 110, St. Paul's College
430 Dysart Road
The University of Manitoba
Winnipeg, Manitoba
R3T 2M6



1988/89 COUNCIL

- President - Mr. Chris Rutkowski (269-7553)
- 1st Vice President
 - Mr. Lorence Mlodzinski (668-3974)
- 2nd Vice President
 - Mr. Len Gamache (237-3858)
- Treasurer - Mr. Doug Bale (661-8746)
- Secretary - Mrs. Myra Rutkowski (269-7553)
- Past President
 - Mr. John Haines (275-0376)


- Councillors Mr. Mohsen Abdel-Hadi (269-1070)
- Mr. Chris Brown (775-6392)
- Mr. Gord Mathews (474-2204)
- Mr. Paul Paradis (1-883-2411)
- Mr. Gil Raineault (253-4989)
- Mr. Stan Runge (261-9984)

Appointed Positions


- Librarian - Mr. Chris Rutkowski (269-7553)
- National Representative
 - Mr. Lorence Mlodzinski
- Observatory Director
 - Mr. Lorence Mlodzinski (668-3974)
- Winnicentrics Editor
 - Mrs. Myra Rutkowski (269-7553)

* Please send Winnicentrics articles to:

Winnipeg R.A.S.C.
 Room 110, St. Paul's College
 430 Dysart Road
 Winnipeg, Manitoba
 R3T 2M6



Shooting Stars




SHOW A KID THE SKY: Dave Trimble, Len Gamache and Rene Gauthier are helping the Boy Scouts and Girl Guides groups learn more about the sky. One of our Society's mandates is to help educate and increase the public's awareness of astronomy. If you can spare an evening to help them out, or know of any kids' groups that are interested in astronomy, please call Dave and/or Len at 237-3858 (evenings) or Rene at (889-0983 (days).

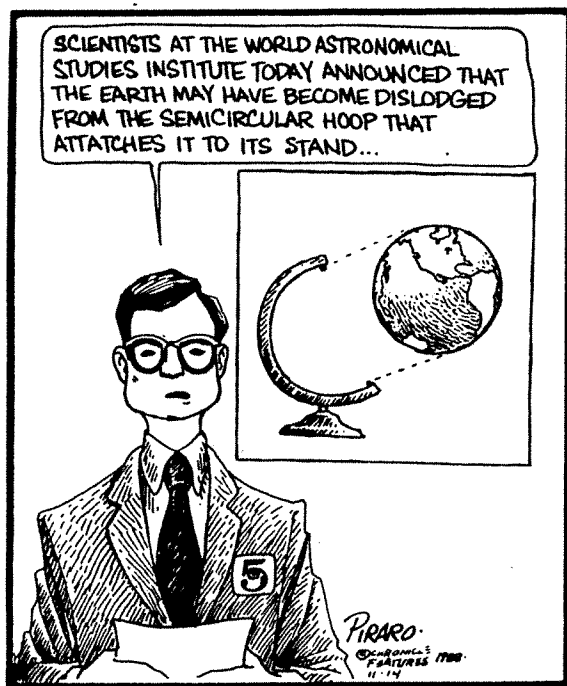
ASTRONOMY 100000000001 & HOW TO CHOOSE A TELESCOPE: Finding your way around the sky for the first time and figuring out which telescope is best for you can be very frustrating by yourself. A one or two evening introduction to both these subjects will be offered later this year. For more info, contact Chris Brown at 775-6392.

MEMBERSHIP LIST: Enclosed in this issue you'll find the new, up-dated list of members. This has been done for the benefit of all members, so that if you want to find out more about someone's telescope, or simply need a ride to the meeting or the observatory, you can contact them directly. Also, the list of council members on the first page now has their phone numbers, should you need any info about nearly anything, or if you want to go to Glenlea and needs directions and/or keys. I hope this will be of use to you.

FOR SALE

Celestron Spotting Scope (C90) with 2x T adapters. \$450 OBO Call Dan Wasyliw 582-3225.

8" mirror blanks and grit. \$40 OBO Call Paula or Lindsey Fuller 667-1913.



Up-Coming Meetings

JANUARY 13, 1989

8:00 p.m.

100 St. Paul's College

Wayne Jaworski, former Centre Council member, is now with Apple Computers, and he has just returned to Winnipeg after completing his Masters in Astronomy in Victoria. He will present information from his work on the Tail of Halley's Comet, done at the Dominion Astrophysical Observatory.

FEBRUARY 10, 1989

8:00 p.m.

100 St. Paul's College

BRING YOUR 'SCOPES!! Come on down with whatever instrument you use for observing and show it off! If it's broken, or needs some touch-ups, other members may be able to help you solve your problems. Do you want to sell your 'scopes or binocs? Bring them and we'll try and help you get a fair price. And for newcomers and armchair astronomers, come and see what observing instruments are all about. F/ratios, diagonals, coma, and collimation will all be demystified for you. Also, bring your slides, astrophotos, and any other items for Show & Tell.

[Editor's note: The following letter was submitted after the September meeting of the Winnipeg Centre, at which Federal and Provincial government representatives debated the issue of scientific funding. It in no way represents the views of the R.A.S.C.]

I was at the meeting and I wanted to conjecture on what Dr. Jovan V. Jovanovich had brought up at the meeting about Canada's advancements in Nuclear Research, and in particular, the development of the Candu Reactor which has put Canada in the forefront of Nuclear Research. The panel put down Nuclear Technology because of the potential danger of accidents. As Dr. Jovanovich, Physics Professor at the University of Manitoba, had mentioned, we are presently destroying the environment of Canada through hazardous emissions and the flooding from dams. Please don't misunderstand me, I'm not using these examples as scapegoats, but as a reminder of the fact that we must excel in Research and Development to stop this destruction of the environment.

There might be and are hazards in Nuclear Research, but if Canada ends the development of every field that has a potential hazard and does not support the "Research and Development" of a particular field, eliminating the hazards, then Canada will never develop as a country that is strong in Research and Development.

Further, when Dr. Jovanovich first brought Canada's development of the Candu Reactor to the attention of the panel, they replied that it was also an economical problem, and "the Americans are not buying the Candu Reactors". Is Canada going to let the Americans blackball this country all the time? That statement reminds me of what the Deifenbaker government did to the Avro Arrow Project when the Americans would not buy them. If this keeps up, then the Americans have bought a lot more from Canada than I thought they could afford!

- Anonymous

On December 13, CBC Radio ran a call-in show about astronomy. Among the callers that made it on-air were the directors of two rural clubs. One is the Brandon Amateur Astronomy Club, led by Jeff Harland, a former Winnipeg member. It meets irregularly at Brandon University, and is assisted by Professor Rice who teaches an astronomy course there. Like the Winnipeg Centre, they have meetings with guest speakers, but also have an annual banquet. Many members have scopes, and they have an observing site about 10 km south of Brandon. Some of their members have built an observatory near Kellwood, just outside of Riding Mountain National Park. They also publish a newsletter, which will be exchanged with the Winnipeg Centre soon.

The Portage la Prairie Astronomy Club has been organised by Allan Cook, a Victoria Centre member now in Manitoba. The club meets every second Wednesday at 7:30 PM in Prince Charles School. Their next meeting was the day after the radio show, and Myra and I travelled to PlaP to meet the group. It was a cold (-25 C) night, but eight club members attended. Few of the entire group have scopes, and Allan is presently introducing them to constellation studies with binoculars or naked-eye observing. Some of the club may visit us for future meetings, and I encourage Winnipeg members to make the short trip out to PlaP to meet the group.

As well, former Winnipeg member Jim Schwetz has built an observatory near Elie, about the same distance from Winnipeg as Glenlea. He has kindly invited Winnipeg members to use his site, which has a dome, warm-up room and a planned darkroom facility.

Add to these the fact that Mike Rossier has invited us all to his observing site near Dauphin, and it is obvious that those darned astronomers are everywhere! With all these groups in the province, the possibility of a large astronomy Starfest is an idea that may deserve consideration.

- Chris Rutkowski (Prez)

RASC MEMBERSHIP LIST

NAME	ADDRESS	PHONE
Bob Pull	1054 Boston Ave. Winnipeg	R3T 1T7 453-8032
Gil Raineault	12 Greenmount Road Winnipeg	R2J 1T4 253-4989
Clyde Reid	218 McLean Road Selkirk	R1A OT6 1 482-3930
William Reinisch	Box 1, Grp 36, RR 1B Winnipeg	R3C 4A3 334-1168
John Ross	686 Community Row Winnipeg	R3R 1H7 895-3880
Mike Rossier	#2-18 Fourth Ave. S.W. Dauphin	R7N 1T5 1
Stan Runge	35 Cunard Place Winnipeg	R3T 5M1 261-9984
Myra Rutkowski	2108 - 100 Plaza Dr. Winnipeg	R3T 5K8 269-7553
Chris Rutkowski	2108 - 100 Plaza Dr. Winnipeg	R3T 5K8 269-7553
Jeff Schachter	Box 2-33 Sammons Cres Winnipeg	R3R 3M9 832-9307
Garry Specht	1080 Main St. Winnipeg	R2W 5J3 586-8424
Del Stevens	31 Musgrove St. Winnipeg	R3R 2J2
Andrew Strome	General Delivery Steinbach	ROA 2A0 1 434-9043
Patricia Sullivan	50 Home St. Winnipeg	R3G 1W6 774-9658
Ernie Tomiuk	203 - 85 Furby St. Winnipeg	
Dave Trimble	586 Cusson Street Winnipeg	R2J OP5 237-3858
Guy Westcott	2 - 825 Corydon Avenue Winnipeg	R3M OW6 477-4907
John White	502 - 20 Valhalla Dr. Winnipeg	R2G OY1 339-4393
Scott Young	P.O. Box 19 St. Germaine	ROG 2A0 1 257-8535

RASC MEMBERSHIP LIST

NAME	ADDRESS	PHONE
Mohsen Abdel-Hadi	56 Nolin Place	Winnipeg R3V 1P2 269-1070
Ray Amyot	34 Harry Wyatt Place	Winnipeg R3T 2M4
Doug Bailey	460 Speers Road	Winnipeg R2J 1N2 u/1
Doug Bale	Box 52 Gr. 381 RR 3	Winnipeg R3C 2E7 661-8746
Richard Bochonko	2 McMaster Road	Winnipeg R3T 2Y1 269-3148
Chris Brown	183 Canora Street	Winnipeg R3G 1T1 775-6392
Terry Brownlee	217 Allard Ave.	Winnipeg R3K 0S9 889-7311
Bob Bulloch	600 Mulvey Ave	Winnipeg R3M 1H4
Tom Cairns	924 Waterford Avenue	Winnipeg R3T 1G8 453-3470
Stefan Carter	234 Elm St.	Winnipeg R3M 3P2 475-0071
Ram Choubey	50 Newcastle Rd	Winnipeg R3T 3Y7 261-1317
Martin Clutton-Brock	69 Kings Drive	Winnipeg R3T 3E7 261-1401
Fred Ediger	71 Gerrond Bay	Winnipeg R2Y 1B3 832-6310
W. Elliott	652 Furby St.	Winnipeg R3B 2W2 489-7544
J Erickson	234 Charbonneau Cres.	Winnipeg R3X 1E1 253-2842
Bud Fairley	318 -3060 Pembina Hwy	Winnipeg R3T 4N1 269-0034
Darren Fellowes	451 Martin Ave. W.	Winnipeg R2L 0C2 669-1868
Garry Frankel	7 Fairgrove Bay	Winnipeg R2R 1C9 632-4619
Len Gamache	586 Cusson St.	Winnipeg R2J 0P5 237-3858
Rene Gauthier	R.R. 1	Dufresne ROA 0J0 1 866-2840
Gary Gerelus	54 Thornbury Crescent	Winnipeg R2G 3B1 669-5269
John Haines	111 Gull Lake Road	Winnipeg R3T 4X1 275-0376
Manfred Hirshfeld	c/o 2-825 Corydon Ave	Winnipeg R3M 0W6
Ed Hlady	595 Matheson Avenue	Winnipeg R2V 0A3 586-5128
Norm Howe	392 Winchester Street	Winnipeg R3J 2E7 837-5081
Harold Hunter	419 Southport Blvd.	Winnipeg R3P 0A8 889-4647
I Iverson	267 Berry Street	Winnipeg R3J 1N3 261-3580
Karen Jaresh	95 Greene Ave.,	Winnipeg R2K 0L2
Davette Kent	1044 Byng Place	Winnipeg R3T 0Y8 475-0880
Paul Klassen	P.O. Box 161	Gretna ROG 0V0 1 327-5229
Hui Fung Kwong	206 - 1691 Pembina Hwy	Winnipeg R3T 2G6 261-4241
Marcel LaCroix	66 Winslow Drive	Winnipeg R2M 4M9 253-0993
Bernard Land	18 St. Dunstan's Bay	Winnipeg R3T 3H5 269-7202
Glen Lang	14 Furness Bay	Winnipeg R2N 2S4 253-5155
Andrew Lawless	60 University Crescent	Winnipeg R3T 2N4 269-4845
Ted Lemon	404-99 Wellington Cres	Winnipeg R3M 0A2 453-0367
Keith Levin	421 - 233 Kennedy St.	Winnipeg R3C 3J5 942-6153
Glen Lewer	710 Winona Ave.	Winnipeg R2C 2X3 224-2885
Albert Lui	206 - 1691 Pembina Hwy	Winnipeg R3T 2G6 261-4241
Dan MacIssac	Ebb & Flow School	Ebb & Flow R0L 0R0 1 448-2012
Theresa Marion	174 Morley Ave.	Winnipeg R3L 0Y1 477-4539
Murray Marshall	43 - 30 Shelmerdine Dr	Winnipeg R3R 2Y2 889-9499
Gordon Mathews	64 Wildwood Park	Winnipeg R3T 0C8 474-2204
Dean McDonald	24 Shay Cres	Winnipeg R2N 1A6 255-2304
Lewis McQueen	408 Roseberry Street	Winnipeg R3J 1T5 888-5191
Firmin Michiels	34 McGill Avenue	Winnipeg R3T 2Y4 261-1579
Lorence Mlodzinski	901 Fleming Avenue	Winnipeg R2K 1V7 668-3974
Gary Nicholson	25 McLeod Ave. East	Dauphin R7N 0G8 1 638-4468
Patrick O'Connor	P.O. Box 69	Pinawa ROE 1L0 1 753-2440
Hartley Odwak	79 Forest Park Drive	Winnipeg R2V 2R5 334-5003
Paul Paradis	P.O. Box 244	St. Adolphe ROA 1S0 1 883-2411